

P O T T E R Y B A R N

Apothecary Single Sink Console

PROFESSIONAL INSTALLATION REQUIRED- Contractor and Plumber needed for Installation

Important Note: Please read all instructions carefully and completely before beginning assembly.

Pre-Installation:

- Remove all parts and hardware from boxes along with any protective packaging. Identify each part and each piece of hardware included. Do not discard any contents until after installation is complete to avoid accidentally discarding small parts or hardware. Keep all parts out of the reach of children.
- A standard 8" spread faucet should be used with this Marble top console.

Note: The Carrara marble is fragile. In order to preserve its integrity, it is important to limit the amount of handling it gets. Due to the nature of this natural material, slight chipping or cracking may result with excessive handling or if placed on a hard surface. The Marble top, even when it is still packed, should never lie flat, except for when it is placed on top of the console or during unpacking. Please note that arrows on the package indicate the side to be placed up while storing.

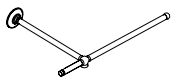
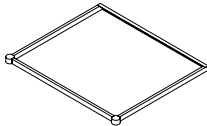
Marble should be unpacked with extreme care. Once unpacked, the marble top should be placed directly on top of the console. If placing down, marble top should only be placed on its end and on a very soft, cushioned surface such as a rug or thick toweling.

Note: Due to the weight of the marble, mounting console to a wall stud is highly recommended. Toggle bolts are used for attachment of stretcher legs to wall. Wood tapping screws () are supplied when legs can be lined up to wall and attached directly to studs. It is imperative that tapping screws are used for mounting frame by attaching directly into wall stud.

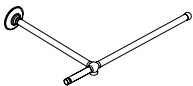
Consoles usually need to be leveled and mounted to both wall and floor. Some hardware items needed for proper assembly and installation are not included: ex. shim, spacer, high quality silicone or acrylic based bath sealant, etc. **DO NOT USE PLUMBERS PUTTY OR ANY OIL BASED SEALANT AS THIS WILL STAIN THE MARBLE.**

Parts Included:

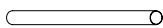
A. Metal Frame (1 pc)



B. Left Metal stretcher with plate cover attached (1 pc)

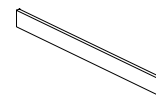
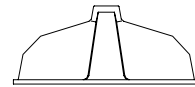


C. Right Metal Stretcher with plate cover attached (1 pc)

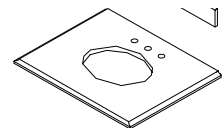


D. Round Stainless Tube (1pc)

G. Ceramic Basin (1 pc)



H. Back Splash (1 pc)



I. Marble top (1 pc)



J. Set Screw (pre-attached) (6pcs)



K. Set screw (pre-attached) 1/8" (2pcs)

POTTERY BARN

Apothecary Single Sink Console

Hardware Included:

L. Toggle Bolt (4pcs)



O. Tapping screw (6pcs)



P. "L" Bracket (4pcs)



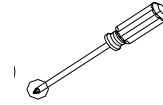
Q. Washer (4pcs)



S. Small Allen key (1pc)



Tool Required (Not included):



Phillips Head or Electric Screwdriver

R. Screw (4pcs)



T. Large Allen key 2 (1pc)



Step 1: Use large Alley Key (T) to secure set screws (J) to connect the tube (D) to the left and right stretcher (B, C). Place metal frame top (A) onto the assembled metal frame. Diagram1.

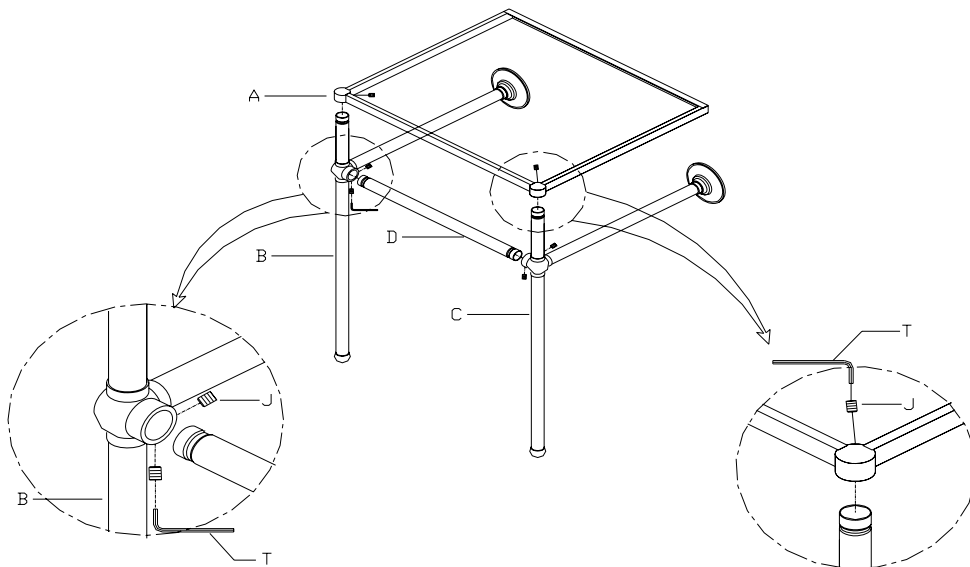


Diagram 1

POTTERY BARN

Apothecary Single Sink Console

Step 2: Place entire frame against wall. Adjust the levelers on feet to ensure the metal frame is level with the ground. Mark on the wall the position where the toggle bolts will go through the holes of the metal plates of the stretchers. Use a screwdriver to install the toggle bolts (L) to the wall. Secure metal frame to wall by tightening the toggle bolt screws. **Note: If metal leg plates align with wall studs, tapping screws should be used instead of toggle bolts.**

It is imperative that the tapping screws (O) provided for the metal frame installation are secured to wall studs. Diagram 2.

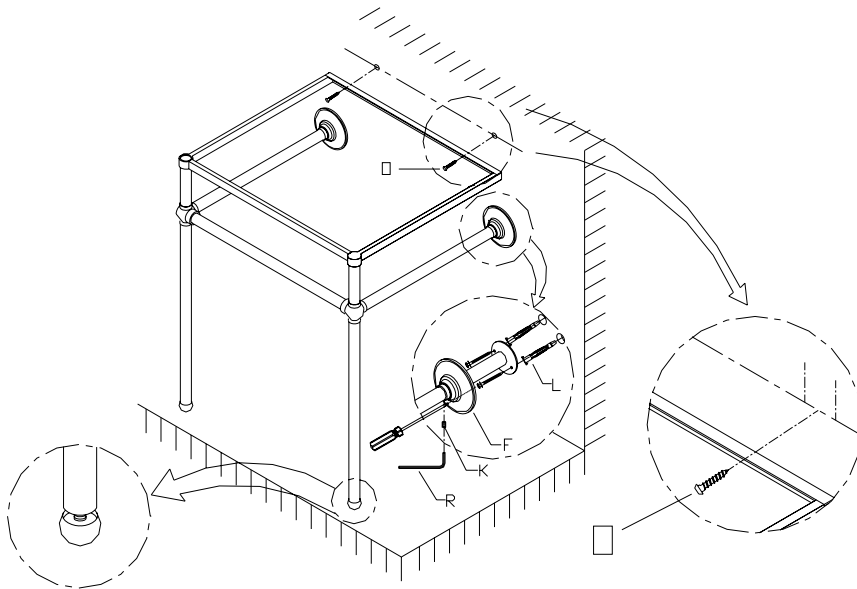


Diagram 2

Step 3: Carefully position the marble countertop (I) upside down on foam or soft padding to protect the surface. Position the basin (G) by placing over the marble top cutout ensuring the over flow hole of basin matches with the middle hole of faucet. Place the "L" brackets (P), washer (Q) and screw (R) to the female screw on the sink side of marble. Tighten with screwdriver.

Position basin (G) squarely under the cutout before fixing L shape brackets tightly, don't tighten brackets at this stage. Diagram 3. Apply a continuous bead of high quality silicone or acrylic based bath sealant to the basin rim where it will contact the countertop.

Note: DO NOT USE PLUMBERS PUTTY OR ANY OIL BASED SEALANT AS THIS WILL STAIN THE MARBLE. Don't use adhesives or adhesive sealants. Draw the basin rim up to the countertop until it is snug. **CAUTION: TO AVOID BREAKAGE, DON'T OVER-TIGHTEN with screwdriver. Immediately wipe away any excessive sealant.** Avoid abrasives and rough cleaning pads.

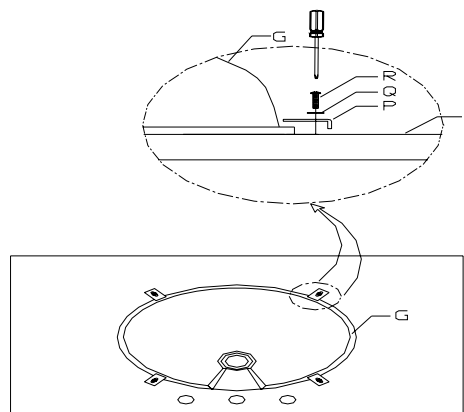


Diagram 3

P O T T E R Y B A R N

Apothecary Single Sink Console

Step 4: Apply a continuous bead of high quality silicone or acrylic based bath sealant to the top surface of metal frame (A) where it will contact the marble.

Carefully lift up the marble Top (I) with basin attached to place it onto the metal frame. The marble position can be adjusted as necessary to make sure it is placed flat.

Apply a continuous bead of high quality silicone or acrylic based bath sealant to backside and underneath edge of backsplash where it will be in contact with the marble top. Place backsplash onto marble top; align with wall. Diagram 4.

Note: DO NOT USE PLUMBERS PUTTY OR ANY OIL BASED SEALANT AS THIS WILL STAIN THE MARBLE. **Note:** Don't use adhesives or adhesive sealants.

Immediately wipe away any excessive sealant. Caution: For safe handling, 2-3 people are recommended. Note: Always carry any natural stone vertically, carrying stone products flat may cause cracking or breakage.

Avoid moving the top after it has been set into place. Allow the top to dry a minimum of 24 hours to allow for proper adhesion. Wipe off any excess wax or residue that may have accumulated around sink area. **Avoid all types of abrasive cleaners and rough cleaning pads.**

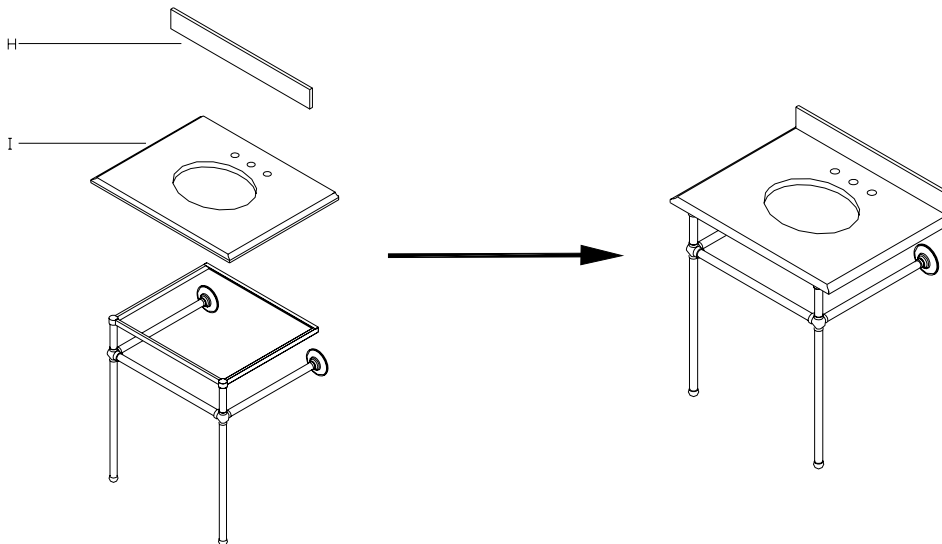


Diagram 4

Marble Care:

To maintain the marble top:

Consult with a professional at your local home supply store regarding sealer. Re-apply sealer every two years.

Clean frequently with a clean soft damp cloth. Use a mild liquid detergent and warm water.

Avoid all types of abrasive cleaners and rough cleaning pads. Do not use any products that contain acids on the marble as this can cause the finish to dull. Liquid spills should be cleaned up promptly. Since marble is a natural stone consisting mainly of calcium carbonate it is sensitive to acid. Remove fruit juice or wine immediately from the surface of the marble top. We strongly advise avoiding all acidic cleansers.

Placing protective pads on the bottom of any heavy objects will help prevent scratching of the marble surface. Do not place extremely heavy items on the marble top.

thank you for your purchase

stores | catalog | www.potterybarn.com